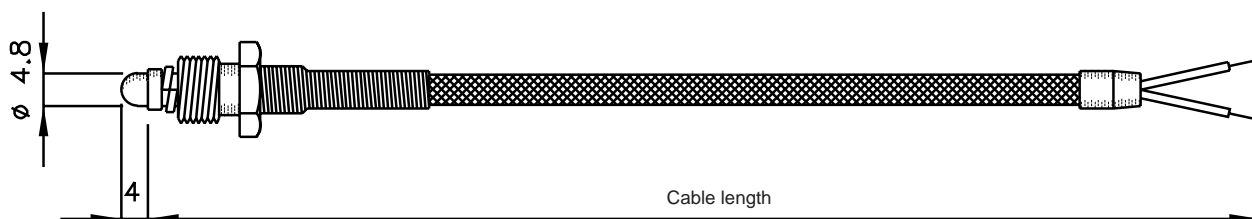




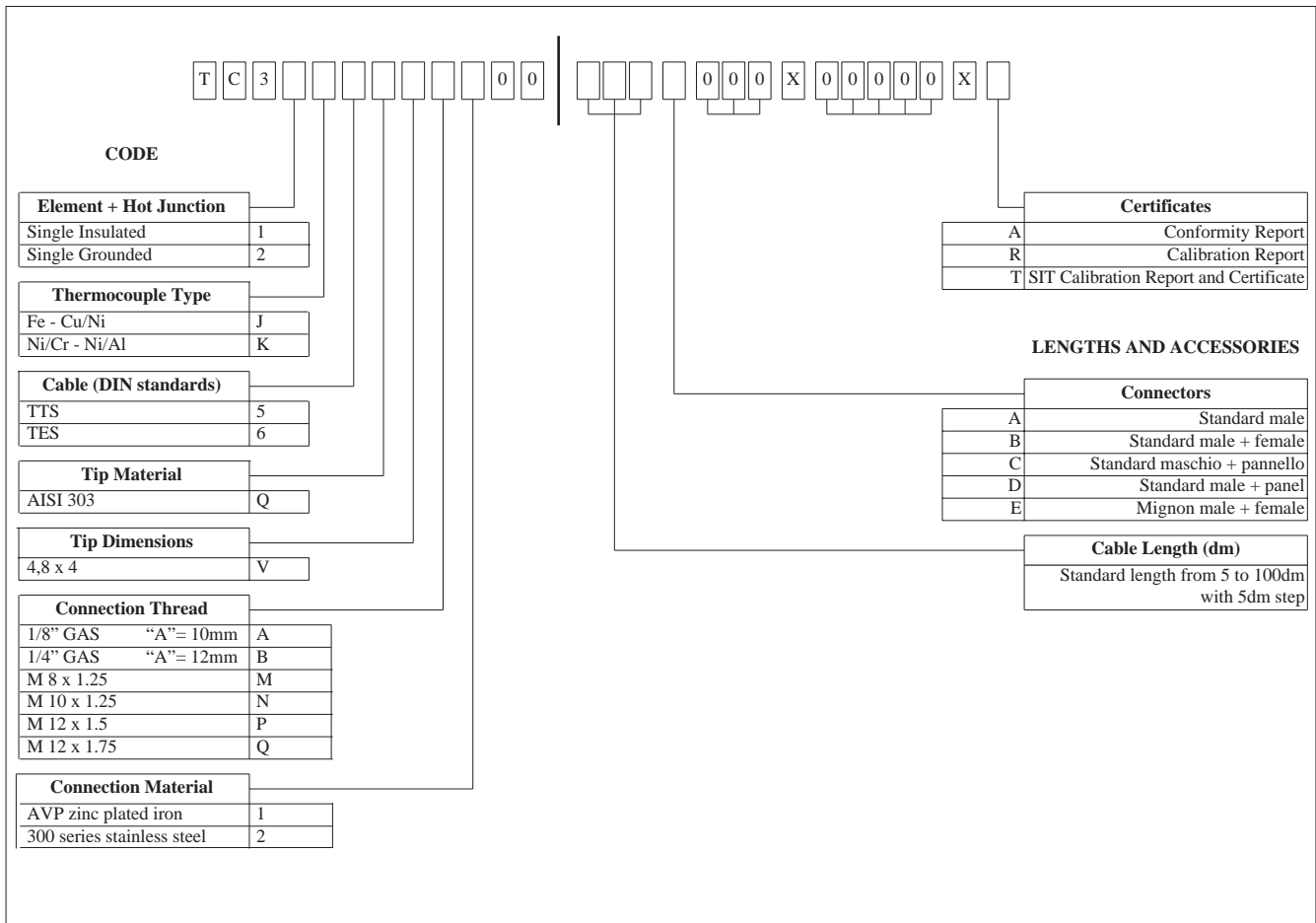
### Main features

- Temperature limits: -40 ... +250°C
- Tolerance: UNI 7938, IEC 584.2 Standards, Class 2:  
for types J, K:  $\pm 2.5^{\circ}\text{C}$
- Extension cable insulation: fibreglass, screened  
TEFLON®
- Stainless steel tip
- Thrust spring washer

### MODEL



# ORDER CODE



GEFRAN spa reserves the right to make any kind of design or functional modification at any moment without prior notice

**GEFRAN**

**GEFRAN spa**  
 via Sebina, 74  
 25050 PROVAGLIO D'ISEO (BS) - ITALIA  
 ph. 0309888.1 - fax. 0309839063  
 Internet: <http://www.gefran.com>  
[www.gefranonline.com](http://www.gefranonline.com)

cod. TC3 - 09/04