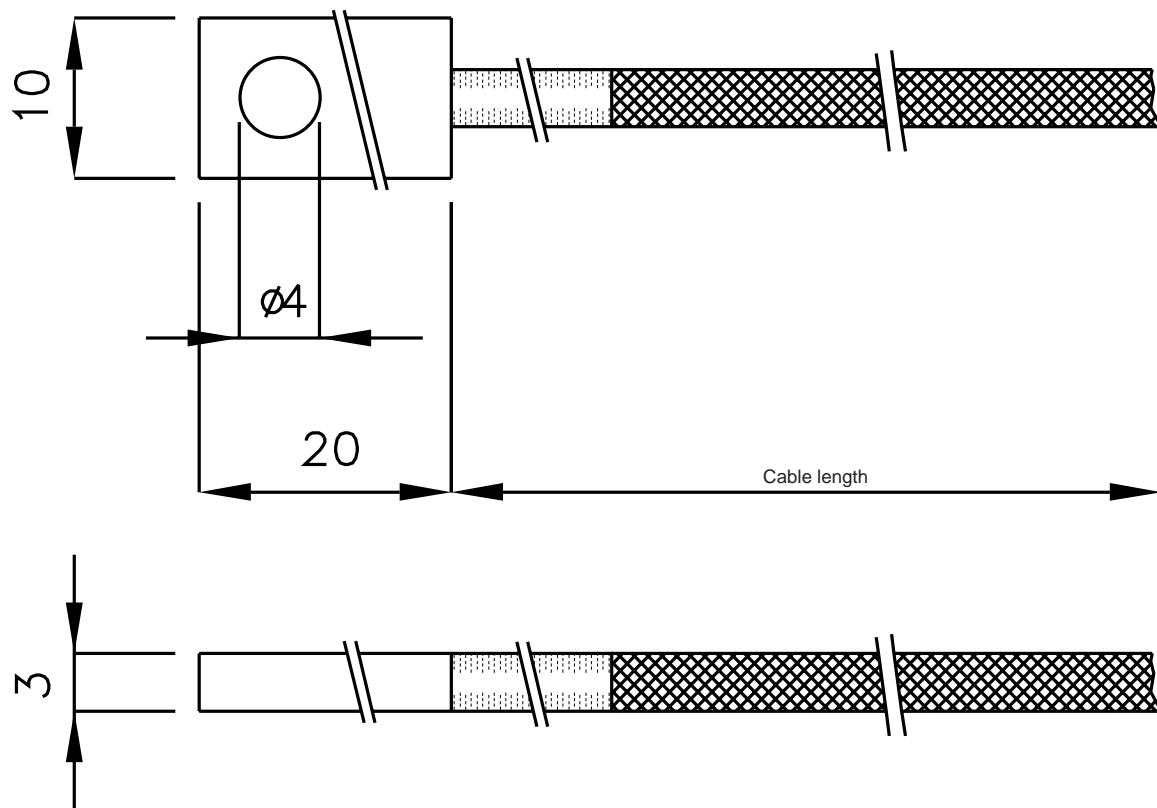


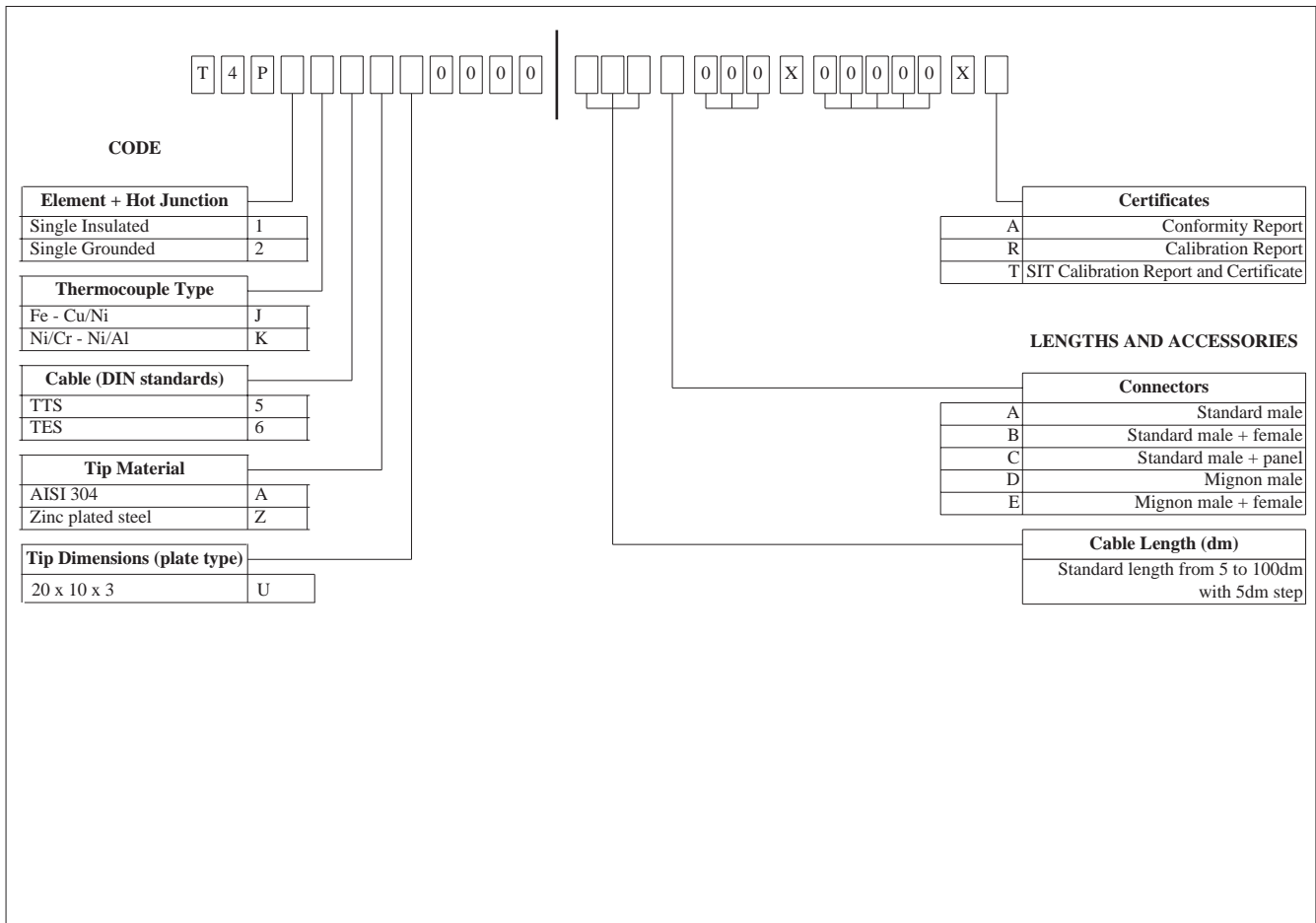
Main features

- Temperature limits: -40 ... +250°C
- Tolerance: UNI 7938 , IEC 584.2 Standards Class 2: for types J, K: $\pm 2.3^{\circ}\text{C}$
- Extension cable insulation: fibreglass, screened TEFLON®
- Copper tip for quick response times
- AISI 304 tip for heavy applications

MODEL



ORDER CODE



GEFRAN spa reserves the right to make any kind of design or functional modification at any moment without prior notice