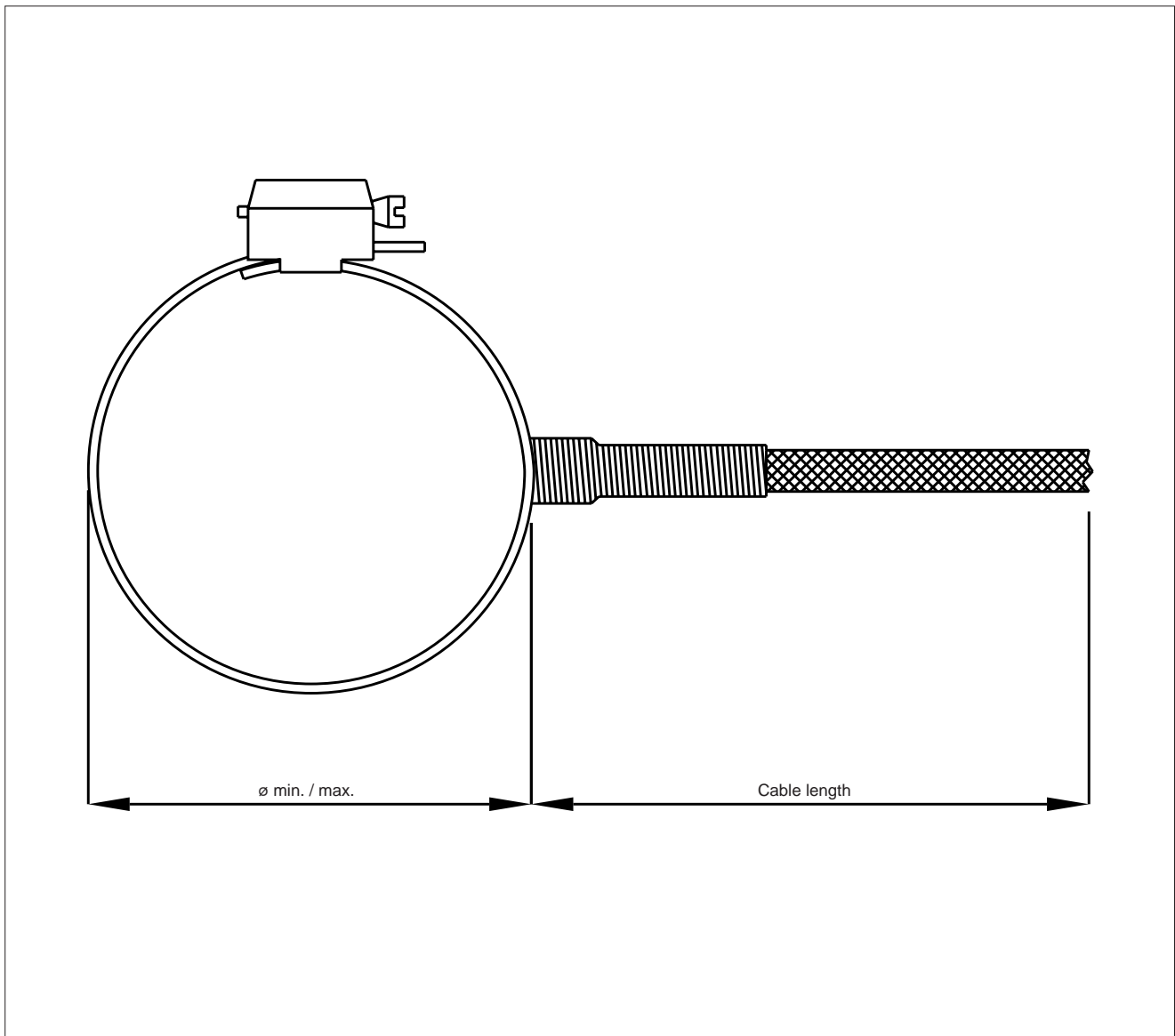
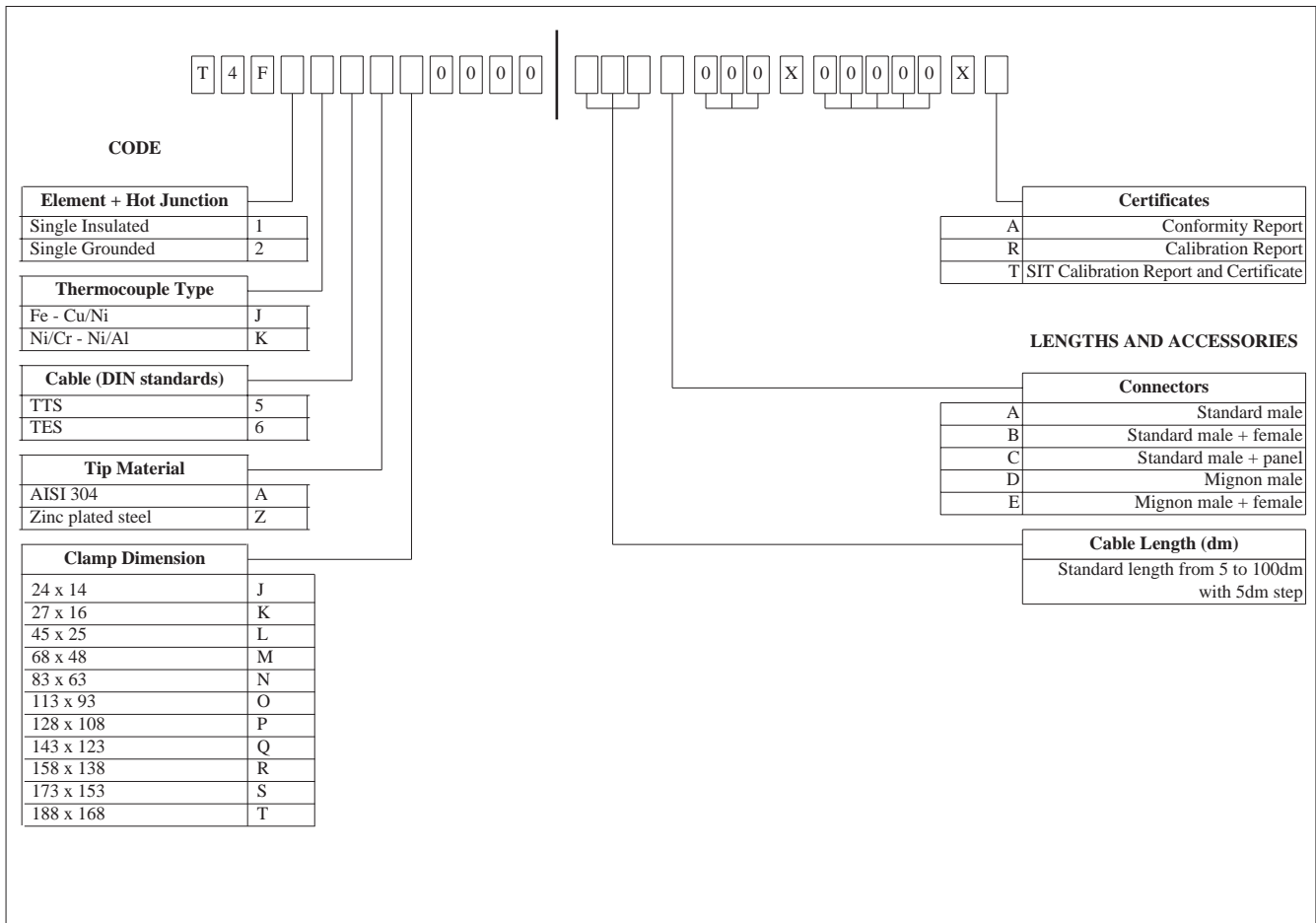


**Main features**

- *Temperature limits: -40 ... +250°C (depending on the insulation of used cable; see accessories)*
- *Tolerance: UNI 7938 , IEC 584.2 Standards Class 2: for types J, K: $\pm 2.3^{\circ}\text{C}$*
- *Extension cable insulation: fibreglass, screened TEFLON®*
- *Typical applications: measurements on fixed positions, on teleheating pipes, on heat exchangers, on piping in general*

MODEL

ORDER CODE



GEFRAN spa reserves the right to make any kind of design or functional modification at any moment without prior notice