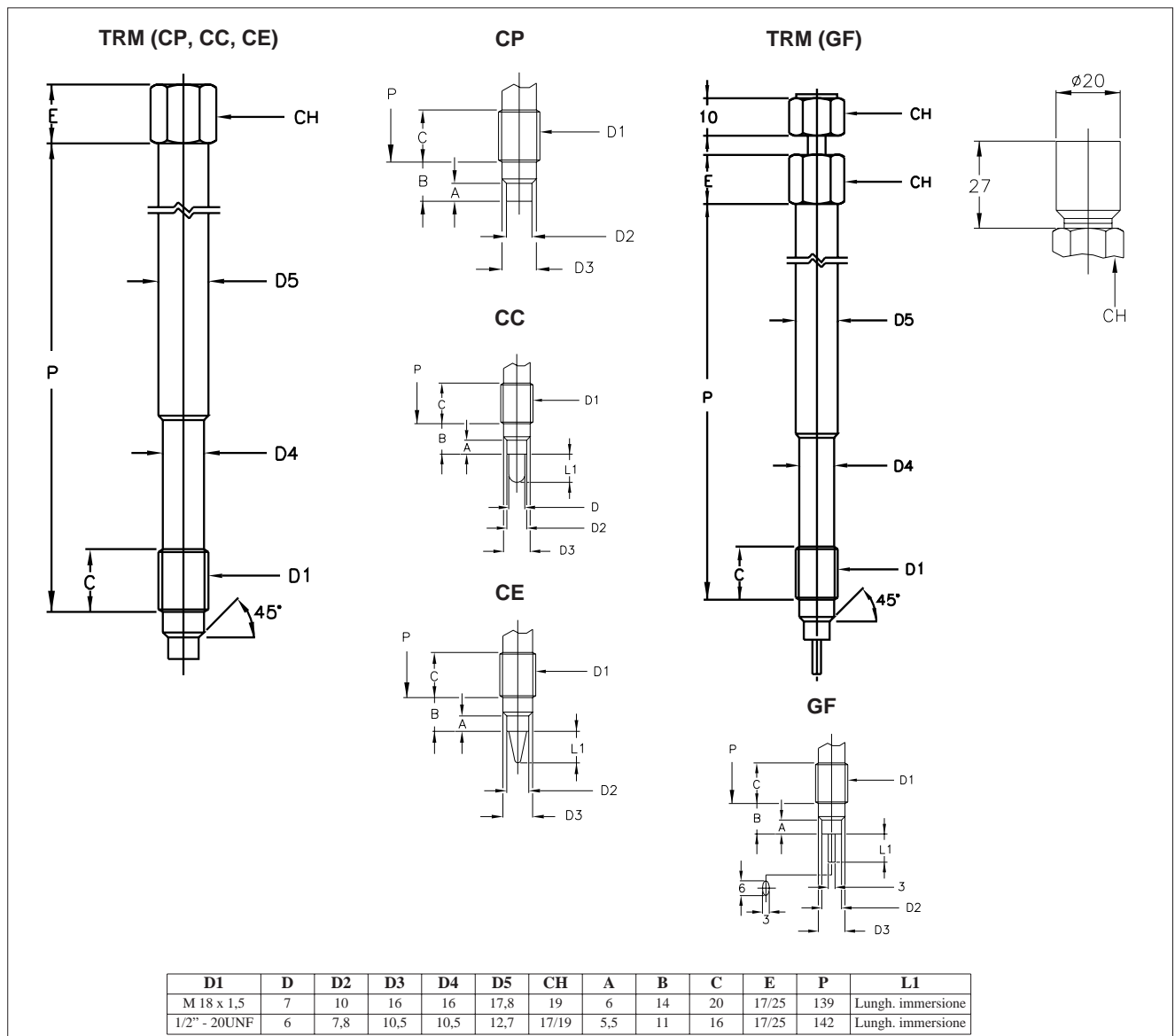




Main features

- Temperature limits: - 40 ... + 400° C
- Tolerance: UNI 7937, IEC 751 standards:
 - ± 0.15° C a 0° C for class A (1/2 DIN)
 - ± 0.30° C a 0° C for class B (1 DIN)
 - ± 0.10° C a 0° C for 1/3 DIN class
- Compact mineral insulated (MgO) resistance thermometer element (Pt100 at 0°C) and continuous metal sheath

MODELS



ORDER CODE

CODE

Model	
Flat Tip	CP
Round Tip	CC
Conical Tip	CE
Rotating Elliptic Tip	GF

Element + Nr. of Wires	
Single 2 wires	1
Single 3 wires	2
Single 3 wires	3
Single 4 wires	5

Precision Class	
PT100 class A (1/2 DIN)	A
PT100 class B (1 DIN)	B
PT100 class (1/3 DIN)	C

Cable (DIN Standards) *	
TTS	5
TES	6

(*) To be specified with A, B, C cold extension only

Stem Material	
AISI 304	A *
AISI 316 Ti	D **

(*) Available with CH 17 hexagon, 1/2"-20 UNF thread only
 (**) Available with CH 19 hexagon, 1/2"-20 UNF and M18 x 1,5 thread

Connection Thread	
M 18 x 1,5	S
1/2" 20 UNF	T

Cold Junction Type	
Free wire termination cable	A
Cable + standard male connector	B
Cable + standard male and female connectors	C
Cable + flexible armour sheath with free wire termination	D
Cable + flexible armour sheath + standard male connector	E
Cable + flexible armour sheath + standard male and female connectors	F
MGO cable + standard male connector	G
MGO cable + standard male and female connectors	H
LEMO1 Connector	I *
LEMO2 Connector	L *
LEMO1 Connector + female connect	M *
LEMO2 Connector + female connect	N *

(*) Available only with:
 CH19 hexagon, E dimension = 25mm (mod. CC, CP, CE)
 See drawing for GF model

Certificates	
A	Conformity Report
R	Calibration Report
T	SIT Calibr. Report/Certification

LENGTHS AND ACCESSORIES

Immersion Length (mm)	
Standard lengths: 5 - 10 - 15 - 20 - 25mm	

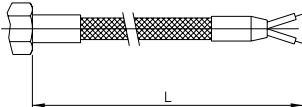
MgO Cable Extension Length(mm)	
Standard length from 10 to 100 mm with 10 mm step	

(*) Available only for G and H cold junctions

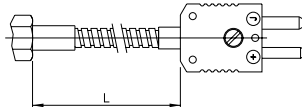
Cable Length (dm)	
Standard length from 10 to 100 dm with 10 dm step	

OUTPUTS

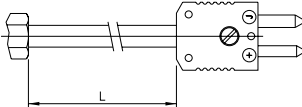
A




E



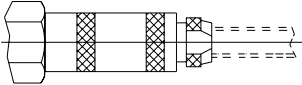
G



I - L



M - N



GEFRAN spa reserves the right to make any kind of design or functional modification at any moment without prior notice