

Main features

- Range of measurement: 6 - 10 - 15 kg
- Accuracy class: C (OIML R60)
- May be mounted directly on the weighing platform
- Applicable Platform : 400x400 mm.
- Grade of protection: conform to humidity test OIML R60
- Certified by NMI Institute according to:
OIML R60 Certificate nr. TC2772

The OD series load cells have been designed for all applications requiring accurate weighing of loads on a platform, as well as for general applications in conformity with the OIML standards. In all these cases, the OD load cell is the heart of the mechanical design. Infact they provide automatic compensation for eccentric loads on platforms up to 400x400mm without the need of mechanical calibrations and have mechanical stops which allow the installation without particular adjustments.

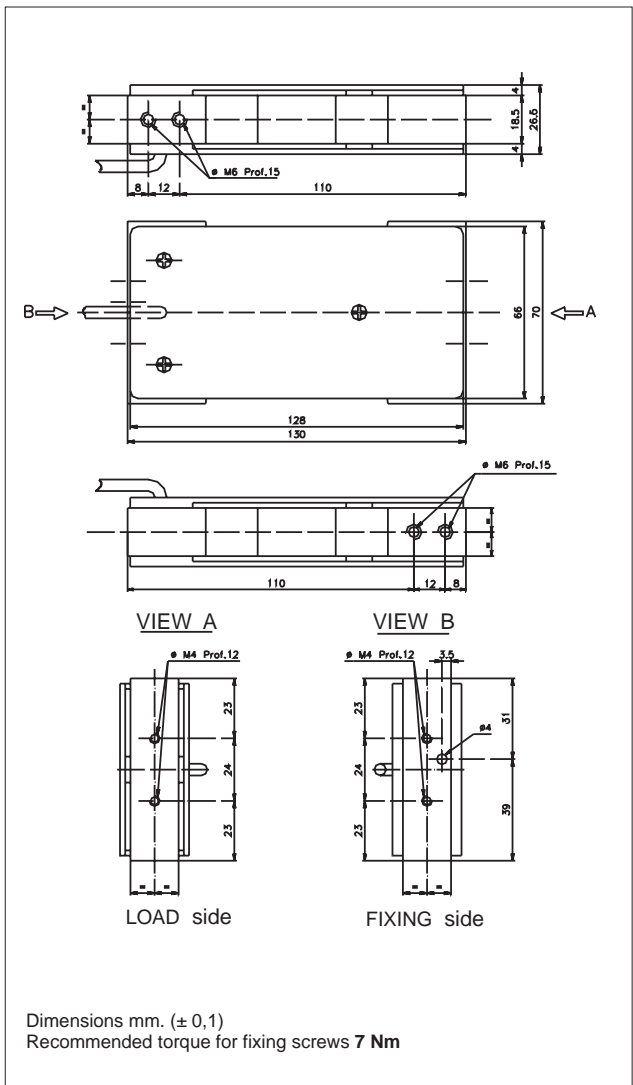
The OD series low profile load cells are used in weighing machines for piece counting, bottling, dosing, weighing parcels, fiscal weighing, pharmaceutical weighing, etc.

TECHNICAL DATA

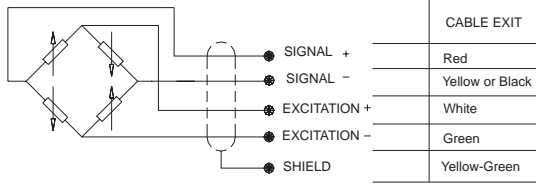
Accuracy (OIML IR60)	C1	C2	C3
Divisions	1000	2000	3000
Nominal full scale load (Ln)	6...15 kg		
Nominal full scale output FSO	2 mV/V		
Output tolerance at Ln	< ± 10% FSO		
Combined errors * (Linearity, Histeresis, Repeatibility)	C1	< ± 0,05 % FSO	
	C2/C3	< ± 0,03 % FSO	
Creep (after 30 min. at Ln)%FSO	< ± 0,05	< ± 0,025	< ± 0,017
Zero load out of balance signal	< ± 10% FSO		
Thermal drift in compensated * range %FSO°C	Sensitivity Zero Calibration	< ± 0,003	< ± 0,0015
		< ± 0,009	< ± 0,006
		-	< ± 0,004
Error for eccentric load (with 1/3 Ln) on 400 x 400 platform (%FSO)	< ± 0,05	< ± 0,03	< ± 0,03
Nominal input resistance	430 Ohm		
Nominal output resistance	350 Ohm		
Isolation resistance	> 10 GOhm		
Nominal supply voltage	10 V		
Maximum supply voltage	15 V		
Compensated temperature range	-10...+40°C		
Maximum temperature range	-20...+50°C		
Storage temperature range	-25...+70°C		
Permitted static load	100% Ln		
Maximum applicable load	150% Ln		
Rupture load	>300% Ln		
Maximum elastic deformation at Ln	< 0,3 mm		
Protection	Silicon, case nylon 66G20W0		
Electr. connections: screened cable	4x0,25 / 1 m.		
Elastic element material	Aluminium		

* The combined errors and thermal drift of sensitivity are within the framework defined by the OIML IR60

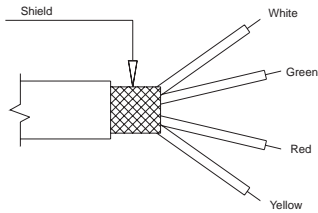
MECHANICAL DIMENSIONS



ELECTRICAL CONNECTIONS



**4x0.25
Screened cable**



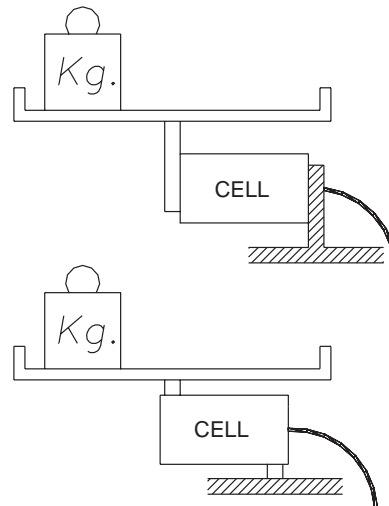
* The screen is isolated from the transducer body.
It is recommended that the ground is connected at the instrument end.

CONVERSION TABLE

Kg	N	Lb
1	9.807	2.205
0.102	1	0.225
0.454	4.448	1

OPTIONAL ACCESSORIES

APPLICATION NOTES



ORDER CODE

Load cell

OD

MEASUREMENT RANGE (Kg)	
0 - 6	K6U
0 - 10	K1D
0 - 15	K1,5D

CLASS OF ACCURACY OIML	
C1 1000 divisions	C1
C2 2000 divisions	C2
C3 3000 divisions	C3

If request, it is possible to supply models with non-standard mechanical and/or electrical features.

Ex.: **OD - K1D - C2**

OD load cell, measurement range 0-10 kg.
Clas of accuracy C2/2000 divisions.

GEFRAN spa reserves the right to make any kind of design or functional modification at any moment without prior notice.

GEFRAN

GEFRAN spa
via Sebina, 74
25050 PROVAGLIO D'ISEO (BS) - ITALIA
ph. 0309888.1 - fax. 0309839063
Internet: <http://www.gefran.com>

cod. OD - 09/04