



### Main features

- Range of measurement: from 20 to 200 Kg
- Accuracy class: C (OIML R60)
- All stainless steel construction
- Corrosion resistant
- Grade of protection: IP67 (DIN 40050)

CB series load cells are designed for trouble free application in industrial environments. The cell body and the protective bellows of the strain gauge are in corrosion resistant stainless steel and the bellows are welded using microplasma torch. CB load cells are supplied in three grades of accuracy and characteristics.

The 1000 division is the most economical and suitable for most applications. The 2000 division version has a good price/performance ratio. The 3000 division is available if higher accuracy is required.

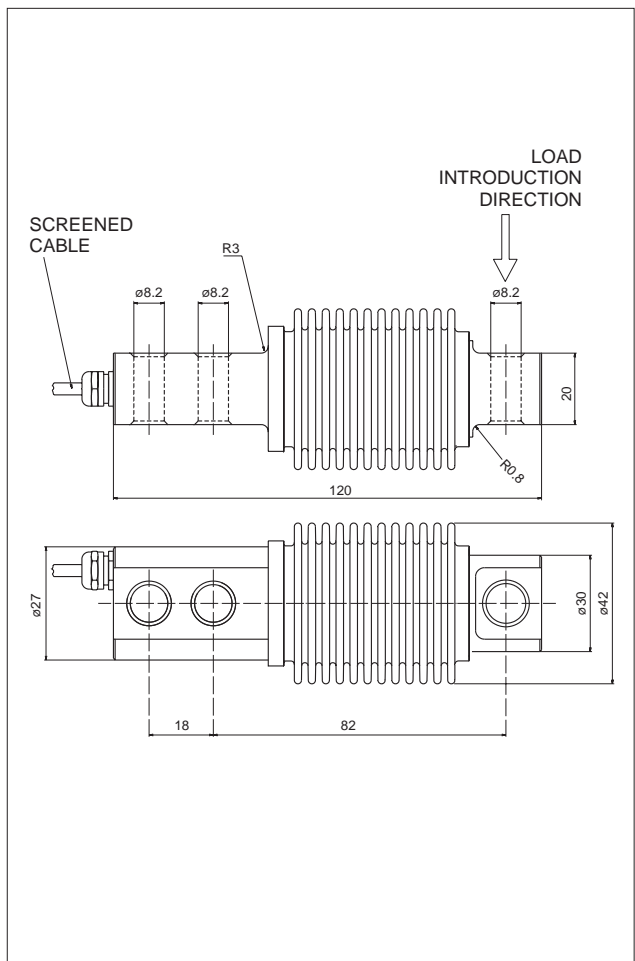
CB load cells are used in particularly hostile environments in the food, petrochemical and pharmaceutical industries and in all applications that demand components in stainless steel and IP67 grade of protection.

### TECHNICAL DATA

	C1	C2	C3
Accuracy (OIML IR60)	C1	C2	C3
Divisions	1000	2000	3000
Nominal full scale load (Ln)	20...200 kg		
Nominal output at FSO	2 mV/V		
Output tolerance at Ln (%FSO)	< ± 0,5	< ± 0,5	< ± 0,2
Combined errors: Non linearity Hysteresis, Repeatability	C1 C2/C3	< ± 0,05 % FSO < ± 0,03 % FSO	
Creep (after 30 min. at Ln)%FSO	< ± 0,05	< ± 0,025	< ± 0,017
Zero load out of balance signal	< ± 1% FSO		
Thermal drift in compensated range * %FSO°C	Sensitivity Zero Calibration	< ± 0,003 < ± 0,009	< ± 0,0015 < ± 0,006 < ± 0,0015 < ± 0,004
Nominal input resistance	350 Ohm		
Nominal output resistance	350 Ohm		
Isolation resistance	> 10 GOhm		
Nominal supply voltage	10 V		
Maximum supply voltage	15 V		
Compensated temperature range	-10...+40°C		
Maximum temperature range	-20...+50°C		
Storage temperature range	-25...+70°C		
Permitted static load	130% Ln		
Maximum applicable load	150% Ln		
Rupture load	>300% Ln		
Maximum elastic deformation at Ln	< 0,5 mm		
Grade of protection (DIN40050)	IP67		
Electr. connections screened cable	4x0,25 5m.		
Elastic element material	Stainless steel		

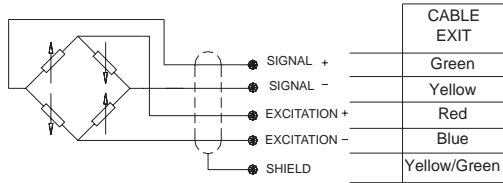
\* The combined errors and thermal drift of sensitivity are within the framework defined by the OIML IR60

### MECHANICAL DIMENSIONS

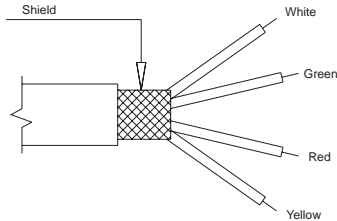


Dimensions mm. (± 0,1)  
Recommended torque with UNI 5931 screws of resistance class 10.9 according to UNI 3740 - **20Nm**.

## ELECTRICAL CONNECTIONS

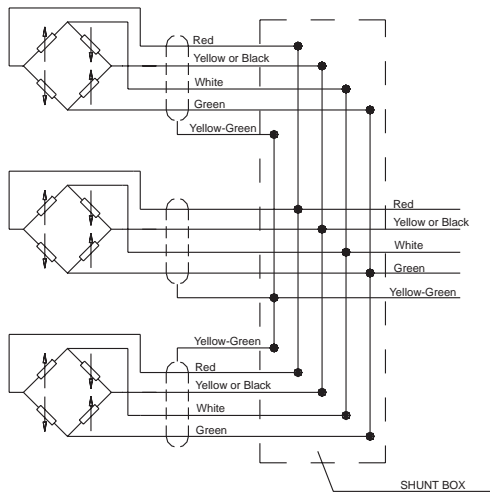


**4x0.25  
Screened cable**



\* The screen is isolated from the transducer body. It is recommended that the ground is connected at the instrument end.

### Cells connected in parallel



In systems that use several cells, the parallel connection automatically sums the loads on each individual cell.

Using this method of measurement, the maximum load will be the sum of the loads on the individual cells and the sensitivity will be the average value of these cells. It is important that the user ensures that no cell is stressed beyond its maximum rating under any load condition.

## CONVERSION TABLE

Kg	N	Lb
1	9.807	2.205
0.102	1	0.225
0.454	4.448	1

GEFRAN spa reserves the right to make any kind of design or functional modification at any moment without prior notice.

## OPTIONAL ACCESSORIES

### ORDER CODE

Load cell

CB

MEASUREMENT RANGE (Kg)	
0 - 20	K2D
0 - 50	K5D
0 - 100	K1C
0 - 200	K2C

ACCURACY CLASS OIML	
C1 1000 divisions	C1
C2 2000 divisions	C2
C3 3000 divisions	C3

If request, it is possible to supply models with non-standard mechanical and/or electrical features.

Ex.: **CB - K1C - C2**

CB load cell, measurement range 0-100 kg., accuracy class C2/2000 divisions.