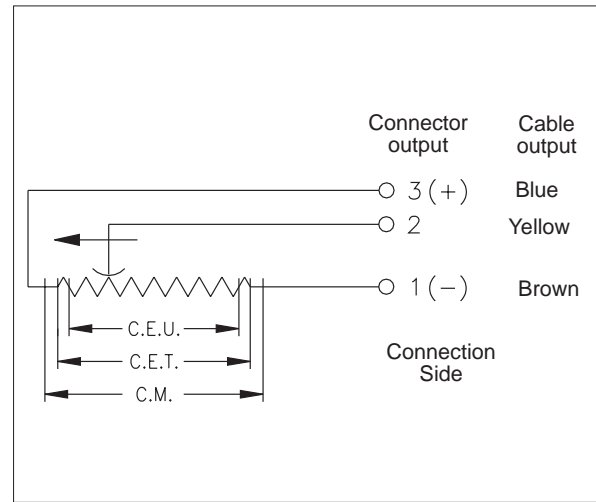




## MECHANICAL / ELECTRICAL DATA

MODEL		10	25	50	75	100
Useful electrical stroke (C.E.U.) +1/-0	mm	10	25	50	76	101
Theoretical electrical stroke (C.E.T.) ±1	mm	C.E.U. + 1			76	101
Resistance (C.E.T.)	kΩ	1	1	5	5	5
Independent linearity (within C.E.U.)	± %	0,3	0,2	0,1	0,1	0,1
Dissipation at 40° (0W at 120°C)	W	0,2	0,6	1,2	1,8	2,4
Maximum applicable voltage	V	14	25	60	60	60
Mechanical stroke (C.M.)	mm	C.E.U. + 5				
Case length (A)	mm	C.E.U. + 38				
Tip length (B)	mm	32	32	40	40	40
Total length (C)	mm	108	138	196	246	296

## ELECTRICAL CONNECTIONS



## ACCESSORIES

### STANDARD ACCESSORIES

Fixing kit for PY2:  
4 brackets, M4x10 screws, grower

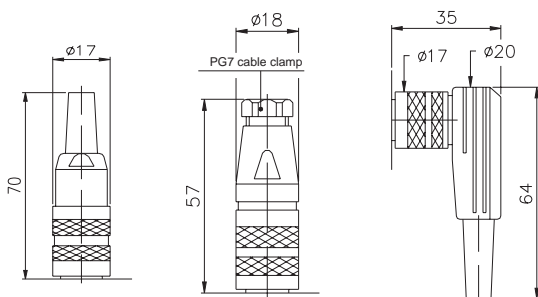
Ball tip

### Code

**PKIT005**

**PTAS000**

### OPTIONAL ACCESSORIES



**CON011 - IP40 Prot.** (5 pole Female conn.)    **CON012 - IP67 Prot.** (5 pole Female conn.)    **CON013 - IP40 Prot.** (5 pole Female conn.)

Extraction length of the connector 10 mm.

## ORDER CODE

Displacement transducer

**PY2**

Cable output	<b>F</b>
Connector output DIN43322	<b>C</b>

Model

3-pole PVC cable output 3 x 0,25 1m	<b>S</b>
Connector output	<b>----</b>

If requested, it is possible to supply models with non-standard mechanical and/or electrical features

Example: **PY2 - C - 100**

Displacement transducer model PY2, 5-pole connector output, useful electrical stroke (C.E.U.) 100mm.

GEFRAN spa reserves the right to make any kind of design or functional modification at any moment without prior notice

**GEFRAN**

GEFRAN spa  
via Sebina, 74  
25050 PROVAGLIO D'ISEO (BS) - ITALIA  
ph. 0309888.1 - fax. 0309839063  
Internet: <http://www.gefran.com>

DTS\_PY2\_0507\_ENG