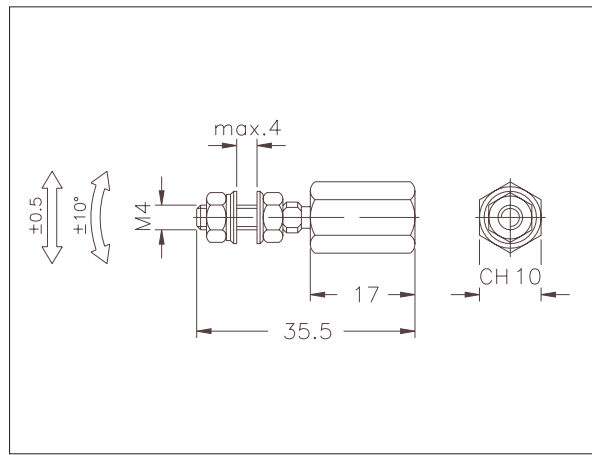


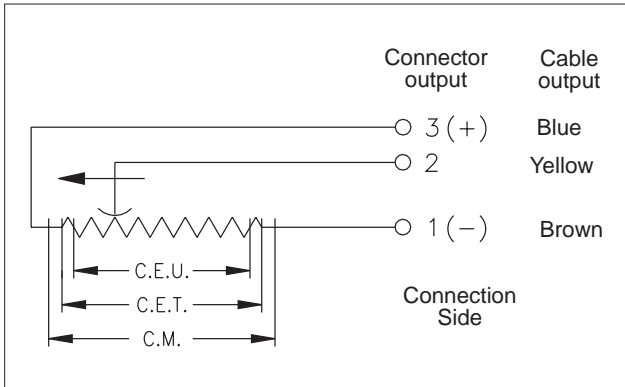
MECHANICAL / ELECTRICAL DATA

MODEL		25	50	75	100	150
Useful electrical stroke (C.E.U.) +3/-0	mm	25	50	75	100	150
Theoretical electrical stroke (C.E.T.) ±1	mm	C.E.U. + 1				
Resistance (C.E.T.)	kΩ	1	5	5	5	5
Independent linearity (within C.E.U.)	± %	0,2	0,1	0,1	0,1	0,05
Dissipation at 40° (0W at 120°C)	W	0,6	1,2	1,8	2,5	3,6
Maximum applicable voltage	V	25	60			
Mechanical stroke (C.M.)	mm	C.E.U. + 5				
Case length (A)	mm	C.E.U. + 38				
Total length (B)	mm	107	157	207	257	357

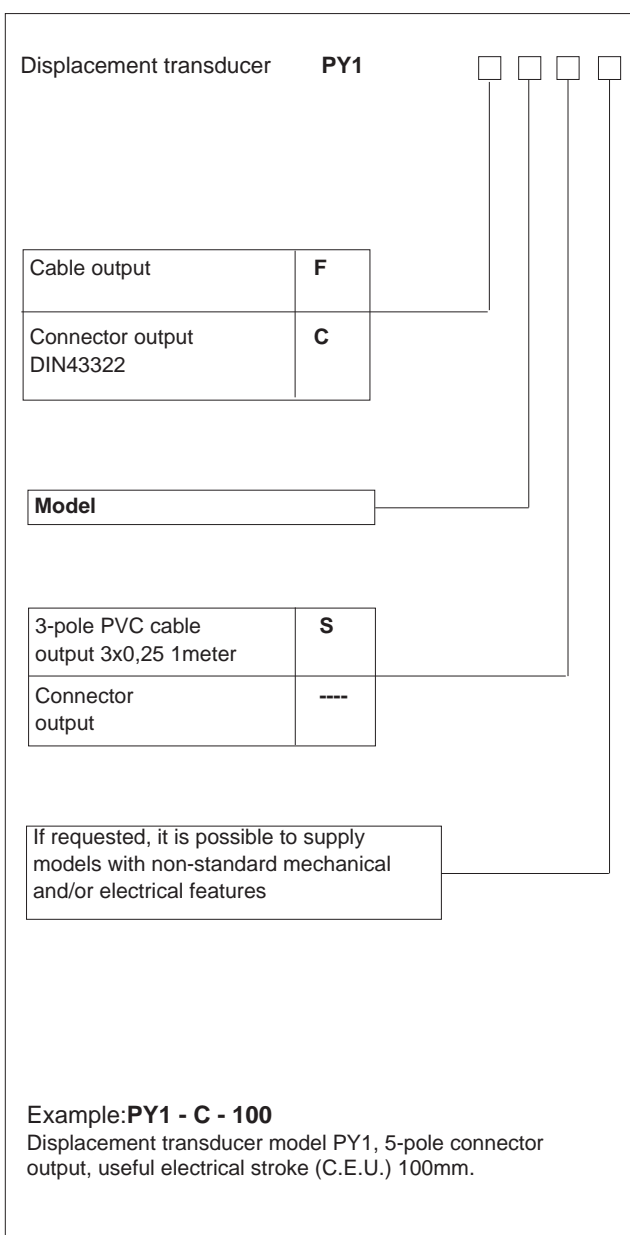
COUPLING JOINT



ELECTRICAL CONNECTIONS



ORDER CODE



ACCESSORIES

STANDARD ACCESSORIES	Code
Fixing kit for PY1 4 brackets, M4x10 screws, grower	PKIT005
Coupling joint	PKIT020

OPTIONAL ACCESSORIES	Code
CON011 - IP40 Prot. (5 pole Female conn.)	
CON012 - IP67 Prot. (5 pole Female conn.)	
CON013 - IP40 Prot. (5 pole Female conn.)	

Extraction length of the connector 10mm.

GEFRAN spa reserves the right to make any kind of design or functional modification at any moment without prior notice