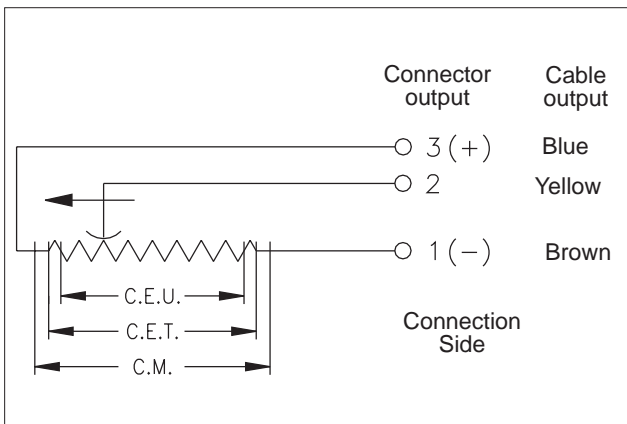




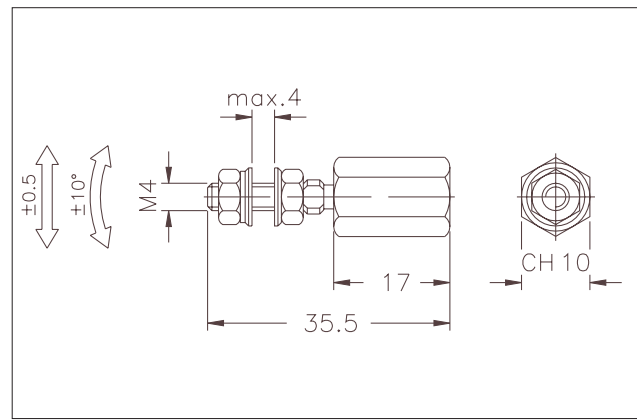
## MECHANICAL / ELECTRICAL DATA

MODEL		25	50	75	100	125	150
Useful electrical stroke (C.E.U.) +1/-0	mm	25	50	75	100	125	150
Theoretical electrical stroke (C.E.T.) ±1	mm	C.E.U. +1					
Resistance (sulla C.E.T.)	kΩ	1	5	5	5	5	5
Independent linearity (within C.E.U.)	± %	0,2	0,1	0,1	0,1	0,05	0,05
Dissipation at 40°C (0W at 120°C)	W	0,6	1,2	1,8	2,5	3	3,6
Maximum applicable voltage	V	25	60				
Mechanical stroke (C.M.)	mm	C.E.U. +5					
Case length (A)	mm	C.E.U. +49,5					
Total length (B)	mm	113,2	163,2	213,2	263,2	313,2	363,2

## ELECTRICAL CONNECTIONS



## COUPLING JOINT



## ACCESSORIES

### STANDARD ACCESSORIES

Fixing kit for PA1:  
4 brackets, M4x10 screws, grower

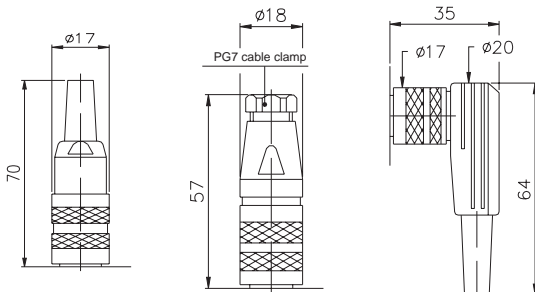
Code

**PKIT005**

Coupling joint

**PKIT020**

### OPTIONAL ACCESSORIES



## ORDER CODE

Displacement transducer	<b>PA1</b>	<input type="checkbox"/>	<input type="checkbox"/>	<input type="checkbox"/>	<input type="checkbox"/>
3 pole PVC cable output 3x0.25 1m	<b>F</b>				
5 pole connector output DIN 43322	<b>C</b>				
<b>Model</b>					
Cable output	<b>S</b>				
Connector output	<b>---</b>				
If requested, it is possible to supply models with non-standard mechanical and/or electrical features					
<b>Example: PA1 - C - 100</b> Displacement transducer model PA1, 5 pole connector output, useful electrical stroke (C.E.U.) 100mm					

GEFRAN spa reserves the right to make any kind of design or functional modification at any moment without prior notice

**GEFRAN**

GEFRAN spa  
via Sebina, 74  
25050 PROVAGLIO D'ISEO (BS) - ITALIA  
ph. 0309888.1 - fax. 0309839063  
Internet: <http://www.gefran.com>

cod. PA1-02/05