

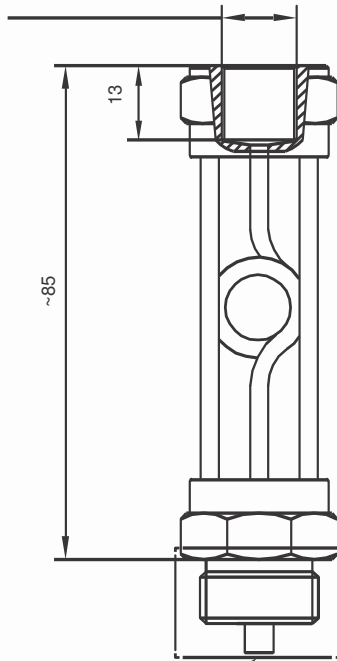
# COOLING COIL

ADHT25 HIGH TEMPERATURE ADAPTOR



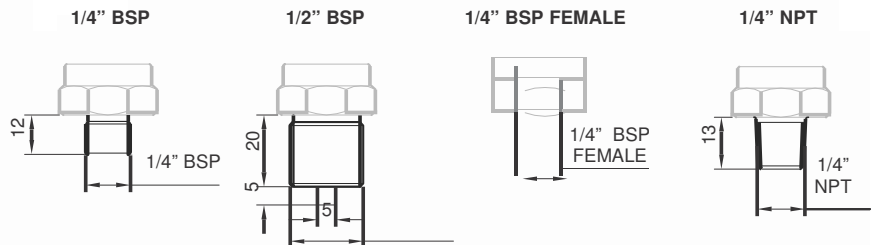
- FOR USE WITH STEAM OR HOT GASSES
- REDUCES THE TEMPERATURE OF MEDIA BEFORE CONTACT WITH TRANSDUCER
- AVAILABLE WITH 1/4" AND 1/2" BSP CONNECTION
- FOR USE WITH MEDIA UP TO 200 °C

1/4" BSP  
FEMALE  
(TRANSDUCER  
CONNECTION)



(THREAD DETAIL IN ACCORDANCE  
WITH PART No SCHEDULE, PROCESS  
CONNECTIONS DETAILED)

The ADT25 Cooling Coil Adaptor is primarily designed for use with steam and hot gasses. It is an ideal solution for applications where the media temperature exceeds the rating of the transducer electronics as the Cooling Coil will reduce the temperature of the media before it makes contact with the transducer. The ADHT25 can be used with media up to 200°C.



Tel: +44 (0) 1978 262255



**ellison sensors international**

Sensor House, Wrexham Technology Park, Wrexham, LL13 7YP, Wales, UK  
sales@esi-tec.com www.esi-tec.com

Fax: +44 (0) 1978 262233