



Main applications

- Extrusion lines
- Rubber presses
- Test benches
- Food processing equipment
- Weight indicators
- Pressure indicators
- Position indicators

Main features

- Strain-gauge or potentiometer input - configurable by faceplate
- Sensor supply check
- Easy to calibrate with sensitivity auto-ranging
- Protected by a personal code
- Configurable by serial link
- Internal linearisation for engineering units
- Labels provided for the more common physical units
- Acquisition and alarm programmable from 15 up to 120 msec. with resolution from 30000 to 4000 divisions
- 6 wires calibration
- Version for magnetostrictive sensors output 4...20mA

GENERAL

Microprocessor based indicator in both 96x48 (1/8 DIN) formats manufactured with SMT.

The instruments have a lexan membrane faceplate (guaranteed to IP65) which has 3 keys, a 5-digit display.

The input signal can be selected from a wide range of sensors:

- Potentiometer (minimum 100 Ω)
- Load cell with sensitivity autoranging between 1,5 and 3,3mV/V
- Strain-gauge pressure sensor
- Magnetostrictive position sensors

The selection is made using the faceplate keys.

The programming of the instrument is made easy by grouping the parameters in function blocks and by a simplified data entry menu.

The configuration can be simplified even further using the PC programming

kit made up of a connection cable and a menu guide program that runs under Windows (see data sheet code WINSTRUM).

A configurable personal software protection code (password protection)

can be used to restrict the levels of editing and displaying the configuration parameters.

TECHNICAL DATA

INPUTS

Accuracy 0,2% f.s. ± 1 digit.

Sampling time 120msec with sensor supply check, configurable down to a minimum of 15msec with reduction of the resolution to 4000 steps.

Range:

-1999...9999 resolution 1 digit,

-19990...99990 resolution 10 digit,

-1999...28000 resolution 1 digit,

Configurable decimal point position, with over- and under-range indication. 32-segment configurable linearisation can be used.

Strain-gauge

350 Ω , maximum sensitivity 3.3mV/V with positive or symmetrical polarisation and calibration that automatically calculates the sensitivity.

Potentiometer

Supply 1,2Vdc >100 Ω

Magnetostrictive position sensors

Supply 24Vdc / 100mA

Output 4...20mA

POWER SUPPLY

Standard: 100 to 240Vac/dc \pm 10%

optional: 11 to 27Vac/dc \pm 10%

50/60Hz, max. 6,5VA

Protected by an internal fuse (not replaceable by the operator).

POWER SUPPLY

TRANSMITTER

24V \pm 10% un stabilised, 50mA max
(100mA max for the 4...20mA

transmitter input model only)

15Vdc max 50mA

for strain-gauge 5Vdc, 10Vdc max

120mA

for potentiometer (>100 Ω) 1,2Vdc

AMBIENT CONDITIONS

Working temperature range: 0 to 50°C

Storage temperature range: -20 to 70°C

Humidity: 20 to 85%Ur non-condensing

WEIGHT

280g. in the complete version

FACEPLATE DESCRIPTION

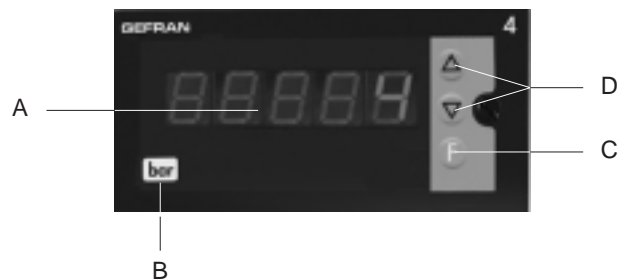
A - PV display: indication of process variable [height 14mm

(5 digit) red display]

B - Label for engineering units

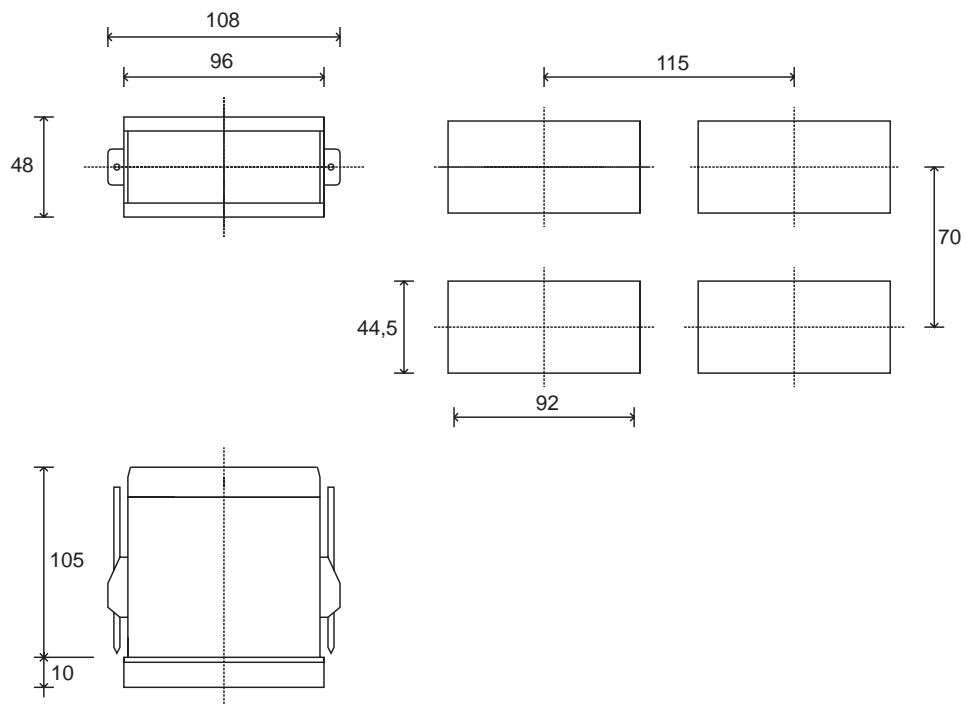
C - "Function" key

D - "Raise" and "Lower" keys



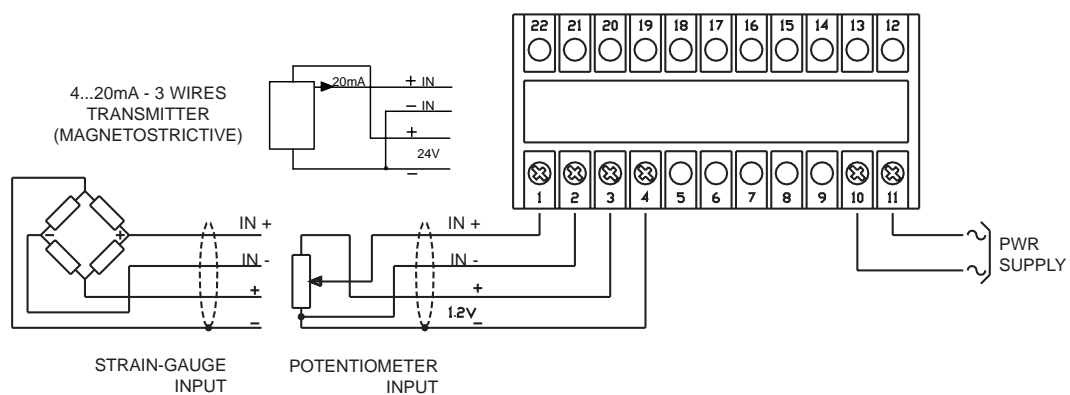
IP65 faceplate protection

DIMENSIONS and CUT-OUT



Dimensions 96x48mm (1/8DIN)

CONNECTION DIAGRAM



For a correct installation see the warnings in the users' manual

ORDER CODE

4B 96 5

NR. DIGITS	
5	5

POWER SUPPLY	
0	11...27Vac/dc
1	100...240Vac/dc




TRANSMITTER POWER SUPPLY	
0 1	1,2Vdc for potentiometer
0 5	5Vdc
1 0	10Vdc
1 5	15Vdc
2 4	24Vdc *
99	All **

* Specific model for use with transmitter 4...20mA (es for position magnetostrittive sensor), it excludes configurability to other options.

** Selectable (standard 24Vdc)

Please, contact GEFTRAN sales people for the codes availability.

GEFRAN spa reserves the right to make any modification of the design or function, at any moment without prior notice

	Conformity C/UL/US File no. E198546
	Conformity C/CSA/US Certificate n. 188658 - 1331258
	The instrument conforms to the European Directives 89/336/CEE and 73/23/CEE with reference to the generic standards: - CEI-EN 61000-6-2 (immunity in industrial environments) - CEI-EN 61000-6-3 (emission in residential environments) - EN 61010-1 (safety)